



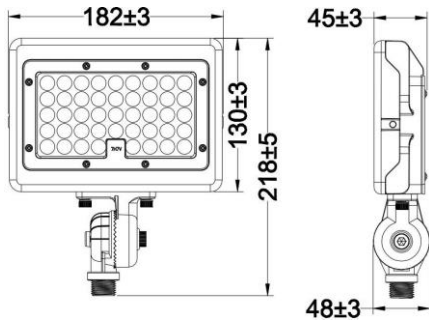
AM

YM

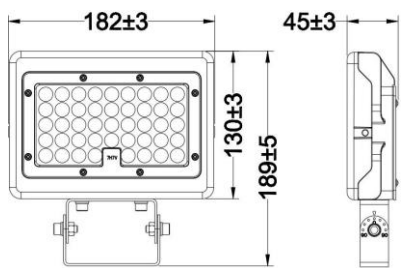
FM



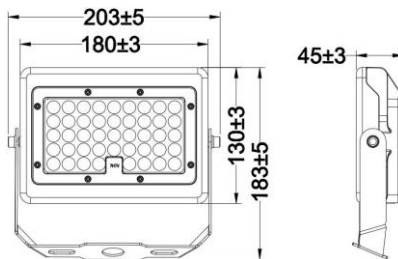
DIMENSIONS



AM



YM



FM

SMART ENERGY SOLUTIONS

E-mail: sales@smartlednc.com

www.smartlednc.com

P/N: AST-FL06E-50WBH8SA1-abcd

Note:

AST= Company name

FL06E = Product series, LED Flood Light

50W = Rating Power

B= LED manufacturer, LUMINLEDS 2835

H8=The lens is PC, and the luminous angle is 7H7V

S=Color Non-tunable,

A1 = Version number

“a” can be any two letters for lamp colors; “BH = Black, WH=White, BR=Bronze or Customized”;

“b” can be “YM”, “FM”, “AM”, for bracket type;

“c” can be “10SP”, “20SP” or blank

for Surge-protective

Device type provided or not;

“d” can be any two digits to represent CCT;

ADVANTAGE

- UL cUL certificate.
- Lumileds Chip, high CRI.
- Input voltage 120-277VAC.
- Output constant current lever can be adjusted through output cable with 0-10V.
- No UV or IR in the beam.
- Easy to install and operate.
- Energy saving, long lifespan.
- Light is soft and uniform, safe to eyes.
- Instant start, NO flickering, NO humming.
- Green and eco-friendly without mercury.

APPLICATION

- Factory floor, libraries, square, park;
- Supermarkets, railway stations;
- Advertising lighting, etc.

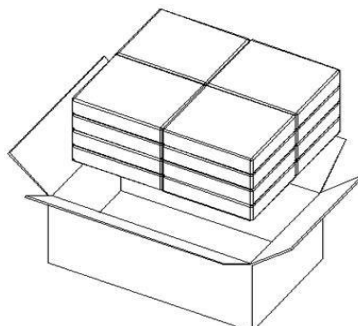
SPECIFICATIONS

OPTICAL	Input Power (Tolerance : ±10%)	50W						
	Color Temperature	3000K	3500K	4000K	4500K	5000K	5700K	6500K
	Lumen(Tolerance: ±10%)	6100LM	6150LM	6250LM	6300LM	6350LM	6400LM	6450LM
	Efficacy(Tolerance : ±3%)	122 LM/W	123LM/W	125 LM/W	126LM/W	127LM/W	128LM/W	129LM/W
	CRI	>80						
	Color Consistency	<7 Steps (or <7 SDCM)						
	Distribution Pattern	7H7V						
	Field Angle (10%) (Tolerance : ±15%)	150 Degree						
ELECTRICAL	Input Voltage and Frequency	120-277VAC, 50/60Hz						
	PF (Tolerance : -3%)	≥0.9						
	THD (Tolerance : +5%)	≤20%						
	Flicker Percent	<30%						
	Driver Brand	HBE						
	Driver Model	HB-FL19F050						
	Driver Surge protection	L/N-PE: 2.5kV, L-N: 2.5kV						
	Dimming	0-10V dimming standard						
	Sensor Type	No Sensor						
	Optional Accessory	Surge-protective Device						
MATERIALS	LED Brand	Lumileds						
	LED Type	SMD2835						
	LED QTY	80 PCS						
	Housing	Die-cast aluminum						
	Housing Color	Brown, Black, or Customized						
	EPA	0.42 ft ²						
	Waterproof Rating	WET (IP65)						
OTHERS	Operating Temperature	-30°C TO 45°C;						
	Storage Temperature	-40°C TO 80°C						
	Operating Humidity	20% - 90% RH						
	Storage Humidity	20% - 95% RH						
	Warranty	5 years						

PACKAGE

Bracket Type	Carton Size	Qty / Carton	Net Weight / Carton	Gross Weight / Carton
AM、YM、FM	Outer box:487*300*310mm	8 PCS	8.8Kg	11.3Kg
	Inner box:235*70*290mm	1 PC	1.1Kg	1.3Kg

Tolerance of Carton Size: ±15 MM, Tolerance of Weight: ±10%.

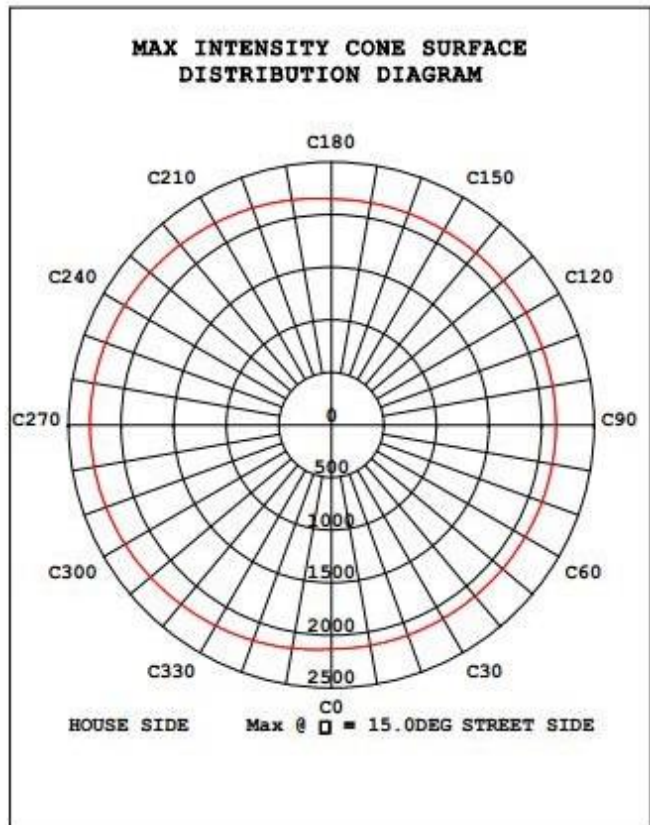
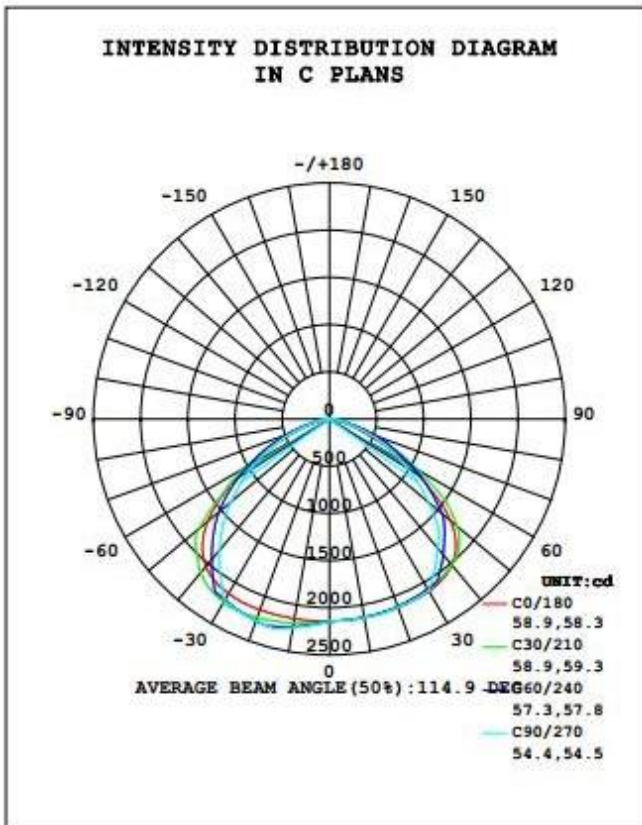


LIGHT DISTRIBUTION TESTING PARAMETERS

STREETLIGHT PHOTOMETRIC TEST REPORT

Test:U:119.39V I:0.4240A P:49.931W PF:0.9864 Freq:60.01Hz Lamp Flux:6711.27x1 lm		
NAME:	TYPE: LED	WEIGHT: /
SPEC.: /	DIM.: /	SERIAL No.: 1#
MFR.: AMERICANLITE	SUR.:	Shielding Angle: /

DATA OF LAMP		PHOTOMETRIC DATA Eff: 134.41 lm/W			
MODEL		I _{max} (cd)	2298	□ street_up (%)	0.0
NOMINAL POWER (W)	50	LOR (%)	100.0	□ street_down (%)	49.5
RATED VOLTAGE (V)	120	TOTAL FLUX (lm)	6711	□ house_up (%)	0.0
NOMINAL FLUX (lm)	6711.27	MAXIMUM @ (C, □)	270,15.0	□ house_down (%)	50.5
LAMPS INSIDE	1	□ up (%)	0.0	76 FLASHAREA (m2)	
TEST VOLTAGE (V)	120	□ down (%)	100.0	SLI	



NOTICE FOR USER

- Please turn off power before install or change assembly parts.
- The input voltage and lamps should be matched, after connecting the power line, Please make sure the wiring section is insulated.
- No-professionals, must not install and disassemble the lamps.

TROUBLE SHOOTINGS

Troubles	Check points
Flickering of the light	Turn off the power and turn on again in 3 minutes. If same phenomena occur, then call agencies.
Out of working	Please check the connection.